



# YANMAR

## MIDI EXCAVATOR

# ViO82



### Weight

Operating weight	8.200 kg
Transport weight	8.125 kg

### Engine

Type	Yanmar 4TNV98C-WBV1
Fuel	Diesel
Displacement	3.318 l
Maximum torque	229-241 N.m. / 1300 rpm
Net power	39,3 kW

### Performance

Travelling speed	2,5 / 4,5 km/h
Rotation speed	9,4 rpm
Digging force (arm)	40,8 kN
Digging force (bucket)	63,5 kN
Grade ability	25°
Noise level (2000/14/CE & 2005/88/CE)	78 dB(A) / 98 dB(A) (LwA)

### Hydraulic system

Maximum pressure	258 bar
1 piston pump with variable flow	124,6 l/min
1 piston pump with variable flow	124,6 l/min
1 gear pump	19 l/min

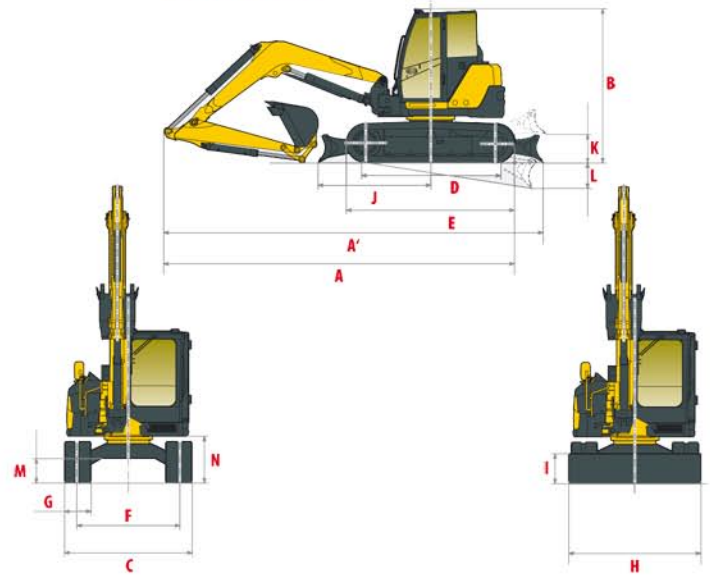
### Undercarriage

Number of top roller	1
Number of bottom rollers	5
Track tensioning system	Using grease pump
Ground pressure	0,36 kg/cm <sup>2</sup>

### Capacities

Fuel tank	115 l
Cooling fluid	9 l
Engine oil	10,5 l
Hydraulic circuit	116 l
Hydraulic tank	60 l

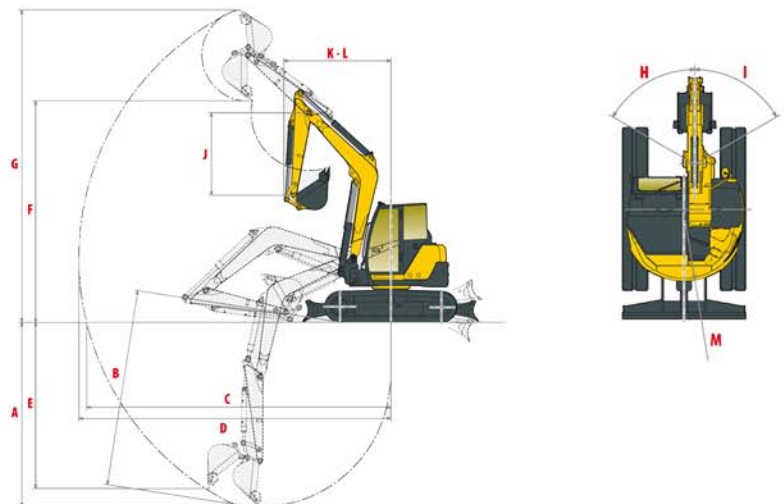
### Dimensions



A. 6410 / 6450\* mm  
 A'. 6920 / 6960\* mm  
 B. 2785 mm  
 C. 2270 mm  
 D. 2290 mm  
 E. 2890 mm  
 F. 1870 mm  
 G. 450 mm

H. 2270 mm  
 I. 435 mm  
 J. 1990 mm  
 K. 460 mm  
 L. 480 mm  
 M. 390 mm  
 N. 700 mm

\* Long arm



A. 4150 / 4500\* mm  
 B. 4440 / 4790\* mm  
 C. 6820 / 7160\* mm  
 D. 6960 / 7290\* mm  
 E. 3800 / 4130\* mm  
 F. 4680 / 4910\* mm  
 G. 6790 / 7020\* mm

H. 57°  
 I. 60°  
 J. 1650 / 2000\* mm  
 K. 2470 / 2520\* mm  
 L. 2130 / 2170\* mm  
 M. 1135 mm  
 N. 1265 mm

\* Long arm